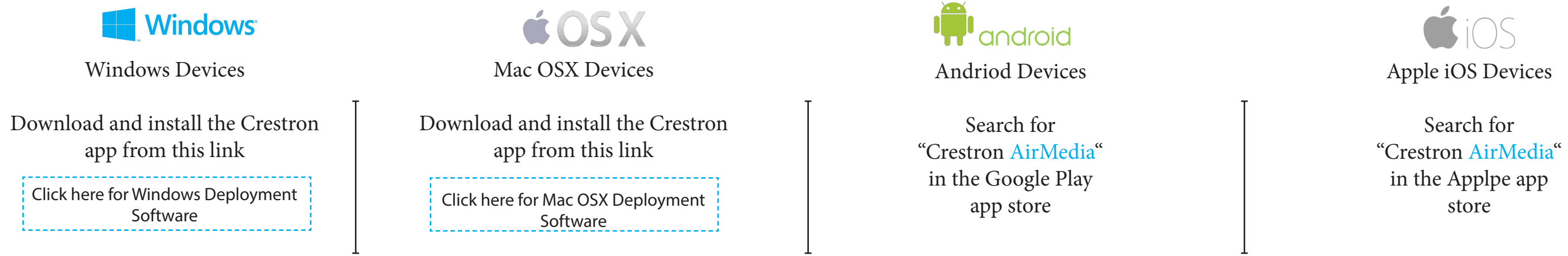
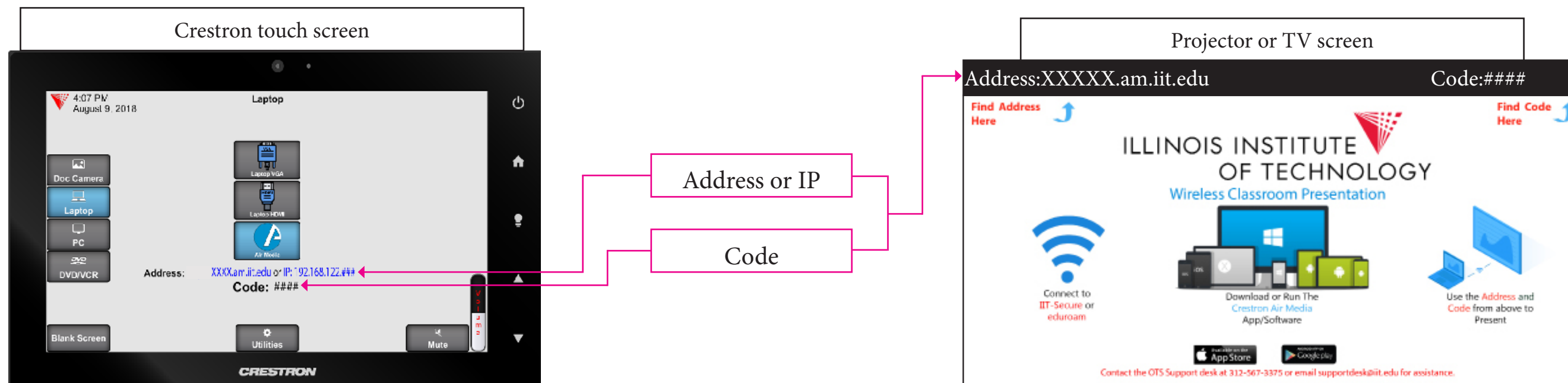


Turn on your device and connect to the on campus wireless
 "IIT Secure"
 AirMedia connectivity will not work with mobile internet

Download and install the Crestron AirMedia App for
 you Windows 8.1+, Mac OSX, Android or Apple iOS
 devices.



Turn on the AV system. Select Laptop, then AirMedia.



With the app installed and running on your device,
 type in the
 Address or IP for the AirMedia.
 This can be found on the Crestron Touch screen or
 on the Projector screen when AirMedia is selected.

The address structure is:
 (Two letter building code)+(Room number)+.am.iit.edu
 Do not Use "HTTP://"

Then type in the four digit security code
 when prompted.



With the app installed and running, you
 will be prompted for the address of the
 AirMedia. it will not connect automatically.
 Once you have correctly entered the ad-
 dress, you will be prompted for the code.
 this is
 located on the Crestron touch screen when
 Laptop is pressed or on the projector/TV
 when AirMedia is pressed.

With the app installed and running, you will be
 prompted for the address of the AirMedia. It will
 not connect automatically.
 Once you have correctly entered the address, an
 AirPlay Guidance window will appear,
 instructing you to
 1. click AirPlay Menu in system bar
 2. Find the above Receiver Name in the AirPlay list
 3. Tap the receiver.
 Then you will enter the four digit code to begin
 displaying your device wirelessly.

With the app installed and running, you
 will enter the address or IP of the AirMedia
 and select Present to the bottom of your
 screen.
 Once you have correctly entered the
 address, you will be prompted for the code.
 You may be prompted with a notification
 prompt. Select "Start Now" to continue
 The code is
 located on the Crestron touch screen when
 Laptop is pressed or on the projector/TV
 when AirMedia is pressed.

With the app installed and running, you
 will enter the address or IP of the AirMedia
 and select Present to the bottom of your
 screen.
 Once you have correctly entered the
 address, a prompt will appear instructing
 you to swip up to access control center
 and select AirPlay looking for the IP of the
 AirMedia
 Selet the IP address and enter the code the
 located on the Crestron touch screen when
 Laptop is pressed or on the projector/TV
 when AirMedia is pressed.
 A checkmark appears next to the IP when
 you device connects successfully

You can disconnect form the AirMedia by:
 1.Clicking Stop
 2.Select Connections and Log Out
 3.Closing the app

You can disconnect form the AirMedia by:
 1.Select AirPlay and Click Turn off AirPlay
 2.Select AirPlay and select AirPlay to: IP of AirMedia

You can disconnect form the AirMedia by:
 1.Open the AirMedia App and
 select Disconnect from AirMedia

You can disconnect form the AirMedia by:
 1.Swipe up to access your Control Center,
 select AirPlay, Select the AirMedia IP and
 select Stop Mirroring

Disconnecting from AirMedia.